

Environmental PVC Solutions



Standard Fixed Pad Seals



Tapered Fixed Pad Seals for sloping driveways



Fixed Pad Seals with Drapes for doors over 9' H

Dock Seals are fabricated from 22 oz and 40 oz (heavy duty) vinyl pvc which is nylon reinforced for strength and durability. When driveways slope beveled side pads are recommended for a proper seal. Drape curtains are common features for doors that are over 8' H – sealing the open space between the top of the truck and the top of the dock door opening. Permanent yellow guide stripes provide for markers when backing a truck into place. The insulating polyurethane foam conforms to the shape of the truck to form a tight weather seal.

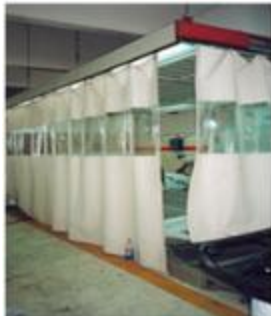
Dock seals are custom tailored to suit various size doors and driveways. Guide stripes commonly extend the height of the fixed side pads. Additional features include wear flaps which usually extend the life of the dock seal.

Dock seals eliminate drafts from entering a facility, thus providing employee comfort and reducing costly hydro. Moreover they act as a safety cushion preventing direct contact between outside walls and trucks.



STANDARD DOCK SEALS

Environmental PVC Solutions



18 Oz Industrial PVC with 16 gauge clear vision window

Heat Welded Seam

Body Shop curtains are typically manufactured using 16 gauge clear view pvc windows and often include color skirts/panels as depicted on the above image. Color panels are commonly 18 OZ vinyl's (nylon reinforced), which provide strength and durability. Skirt and Panel colors include white, brown, gray, blue, yellow, green and black.

Colors panels are most commonly heat welded to each other thus providing greater strength and durability. These materials can be easily cleaned and scrubbed as required.



Overlapping double stitch (corner)



Grommet and Webbing



Threaded Rod Connector



2" Pocket for weight insertion



Nylon wheel rollers with swivel hook



Various Hardware Components



Various Colors and styles

BODYSHOP CURTAINS

Environmental PVC Solutions

SUSPENSION SYSTEM

Basic Components

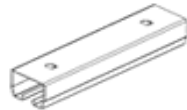
STEEL ROLLER WITH 1" SWIVEL HOOK



NYLON ROLLER WITH 1" SWIVEL HOOK



STRAIGHT TRACK (10'0" & 20'0" SECTIONS)



END STOPS



PULL CORD (4'0" LONG)



Threaded Rod Mounting System

THREADED ROD TRACK SPLICE CONNECTOR



THREADED ROD THREE WAY CONNECTOR



THREADED ROD CONNECTOR 90°



THREADED ROD TRACK BRACKET



THREADED ROD (10'0" LENGTHS)



THREADED ROD EDGE CLAMP



Chain Mounted System

CHAIN SPLICE CONNECTOR



CHAIN CONNECTOR



HEAVY DUTY #2 CHAIN



CHAIN CONNECTOR 90°



CHAIN THREE WAY CONNECTOR



CHAIN CURVED TRACK 90°



HEAVY DUTY 3/16" "S" HOOK



Beam Mounted System

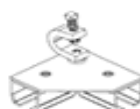
BEAM TRACK SPLICE CONNECTOR



BEAM TRACK BRACKET



BEAM TRACK CONNECTOR 90°



BEAM TRACK THREE WAY CONNECTOR



CURVED TRACK 90°



STRIP-CURTAINS.COM

toll-free: 1.877.270.3311

Environmental PVC Solutions

Bug Blocker Mesh Curtains and Doors



Screen all Pests and Bugs while still allowing airflow

Horizontal yellow stripes & outward visibility for safety

Header or Face Mount - Stand Off Mount also available

Wind bar inserts galvanized solid steel construction.

Automatic and Manual Roll Up options
Horizontal sliding option also available



Various Mesh Colors!



13-oz/sq yd industrial strength green vinyl coated polyester weave screen, with a thread count of 17 x 11

- Screening of all pests while still allowing air circulation
- Reduced Contamination of Food Products
- Tough Durable Mesh Screen 13-oz/sq yd industrial strength

Mesh CURTAINS

www.Strip-Curtains.com or Toll Free : 1 877 270 3311 - 604 247 1PVC

STRIP-CURTAINS.COM

toll-free: 1.877.270.3311

Environmental PVC Solutions



Face & Header Mount – Loop Mount – Sliding Track Mount – Max Bullet Mount

STRIP DOOR KITS

www.Strip-Curtains.com or Toll Free : 1 877 270 3311 - 604 247 1PVC

STRIP-CURTAINS.COM

toll-free: 1.877.270.3311



Environmental PVC Solutions

Polymer Technology™

EXCLUSIVE Cross-linked polymer technology

75% faster initial installation time
90% faster strip replacement time
Door strips simply push into place
No climbing to retrieve nuts, bolts and washers
Installs on side or underside of door frame
Fits all Aleco® door strips (except 4" width)

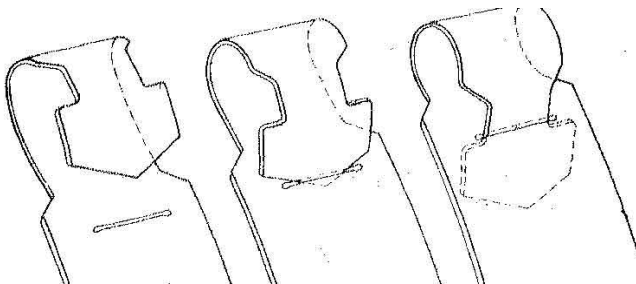
NEW!



Easy Hook and Loop System



Standard 50% overlap on 8" and 6" wide strips and 67% overlap on 12" wide strips. Strips have built in overlap design and provide for easy installation.



Environmental PVC Solutions

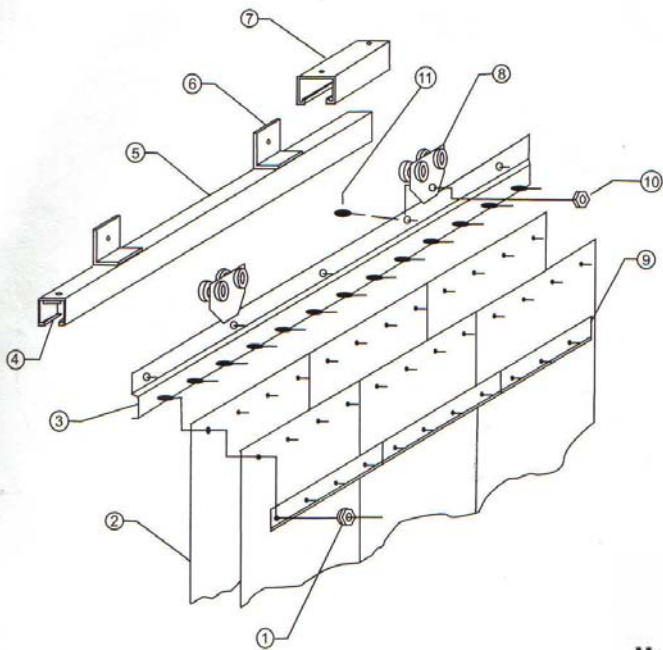
Additional Strip Door Hardware Options



Our galvanized 14 gauge pre-studded hardware is commonly used in high traffic door-ways over 10' h and is available in either face mount or header mount configurations. Our pre-studded hardware is also common in industrial applications as opposed to commercial applications.

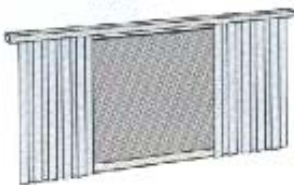
Sliding Strip Door

Track Mount Strip Door Assembly Drawing

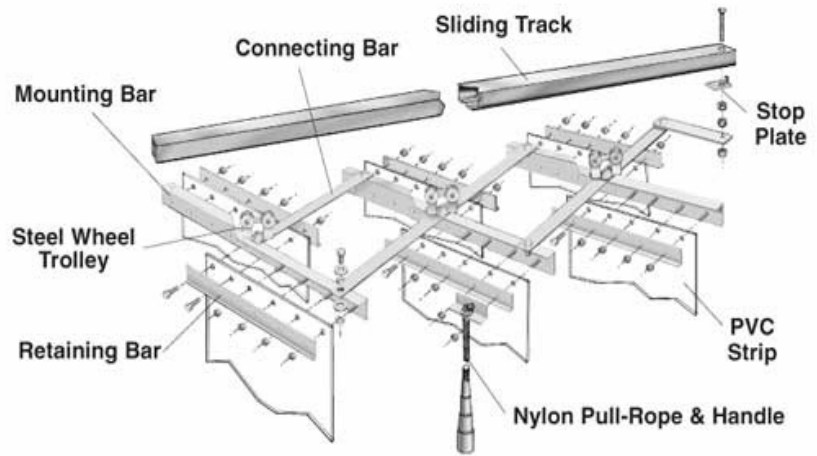


Accordion Strip Doors- single slide

Bi-Parting - Wall Mount
Model BPWM



One-Sided - Wall Mount
Model OSWM



STRIP-CURTAINS.COM

toll-free: 1.877.270.3311

Environmental PVC Solutions

Warehouse Dividers

**Strip Door Inserts!
PVC Windows!
Bottom Pockets!
Grommets!
Track & Trolley Hardware!**

**18 Oz Industrial
Grade Vinyl
Nylon Reinforced**

**R - Rated Fabrics
Fire Rated Fabrics
14 - 28 oz Fabric**

Reduce Dust, Maintain Temperatures, Divide Work Areas



Our Warehouse Curtains and Dividers exhibit 18 OZ industrial grade nylon reinforced vinyl. In certain application clear vision windows span the width of a curtain to allow for light or visibility. Strip Door inserts and special cut outs are also available. Various colors and combination colors are available.

www.Strip-Curtains.com or Toll Free : 1 877 270 3311 - 604 247 1PVC

Environmental PVC Solutions



6" X .06" Light Duty Common Std PVC – Available in Standard and Freezer Grade.



8" and 12" Orange Safety Strip - Semi Transparent – Only in Standard Grade.



8" X .08" Medium Duty Common Std PVC – Available in Standard & Freezer Grade.



8" Black Opaque Strip – Gloss Conveyor Grade – Non see thru -



12" X .120" Heavy Duty Std PVC Clear – For doors to 15 'H – Available in Standard and Freezer Grade.



8" & 12" Standard Ribbed - Ribbed PVC preserves clarity in most high traffic conditions.



16" X .160" Extra Heavy Duty PVC – For E Openings – Available in Std & Freezer Grade.



8" & 12 Yellow – Semi Transparent – Mosquito Repellent Grade –



8" & 12" Std Reinforced – With nylon strings – Available in Low Temp and Std grade



8" and 12" Amber Semi Transparent Weld Strip –Fire Retardant Grade 300' & 200'



BULK PVC PRODUCTS

STRIP-CURTAINS.COM

toll-free: 1.877.270.3311

Environmental PVC Solutions



12 and 16 gauge clear PVC

custom fabricated curtains

Enclose Outdoor/Indoor areas

While still maintaining visibility.

Clear View curtains :

Block wind

Maintain Temperatures

Increase Employee Confort



Outdoor Patio Curtains

www.Strip-Curtains.com or Toll Free : 1 877 270 3311 - 604 247 1PVC

STRIP-CURTAINS.COM

toll-free: 1.877.270.3311

Environmental PVC Solutions



Roll Up PVC Fabric Doors

Features of Manual / Automatic Roll Up Wind Curtains Include:

- Manual operation maximum size is 9'wide x 10' high ~ Automatic operation maximum size is 12'wide x 14' high.
- Standard hunter green (other colors available)13 ounce vinyl solid panel with horizontal safety yellow striping
- Galvanized steel 2" deep guide tracks are impact resistant and designed to be repaired with hand tools (minimizing repairs and lowers maintenance costs)
- Guide tracks are high lighted by safety yellow inserts for high visibility
- Patented wind bars are specifically designed to remain strong but yet flexible enough to pop out in case of impact
- Head curtain is supplied to protect roll tube against weather
- Automatic unit is equipped with one constant contact rocker switch activation
- Bottom foam cushion for positive floor contact

Roll Up Fabric Doors

www.Strip-Curtains.com or Toll Free : 1 877 270 3311 - 604 247 1PVC

Environmental PVC Solutions



.120 Sheet PVC

PVC Clear Econo Swing Doors

The Enviroclear Econo door also swings a complete 180 deg but unlike the solid ImpacDor, this door is flexible and transparent allowing for personnel to see through it. PVC clear swingdoors are effective alternatives to traditional strip doors where torn or missing strips leave open gaps and allow the escape of cold air. The Enviroclear Impact door is recommended for moderate traffic (not suitable for large high traffic doors)

- Eliminate torn strips
- Superior Clarity
- Eliminate Gaps
- Easy Sheet Replacement



Powder Coating Optional!
Available for Purchase Online!



PVC Impact Traffic Doors

The Traffic ImpacDor opens 180 degrees with minimal effort and closes automatically. This ImpacDor is designed for cart and pedestrian traffic in commercial, institutional and retail applications. Made with impact resistant rigid polymer panels, the Traffic ImpacDor resists nicks, dents and scratches and is easy to clean. Kick plate shown is optional.



Heavy Duty V-Cam Hinge
Swings 180 dea

Swing Doors

Environmental PVC Solutions



Amber Weld Strip

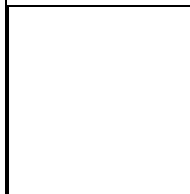
Used for welding screen applications or as a partial sight barrier.

Formulated with UV absorber to absorb and protect from hazardous UV rays

From 10 deg to 150 deg F

Available in widths from 8" to 48" - thicknesses from .080" to .120".

Amber Weld Strips are extruded with additives that make the curtains fire retardant/flame resistant. These curtains are ideal in applications that require light or spark control such as in welding applications or high heat environments.

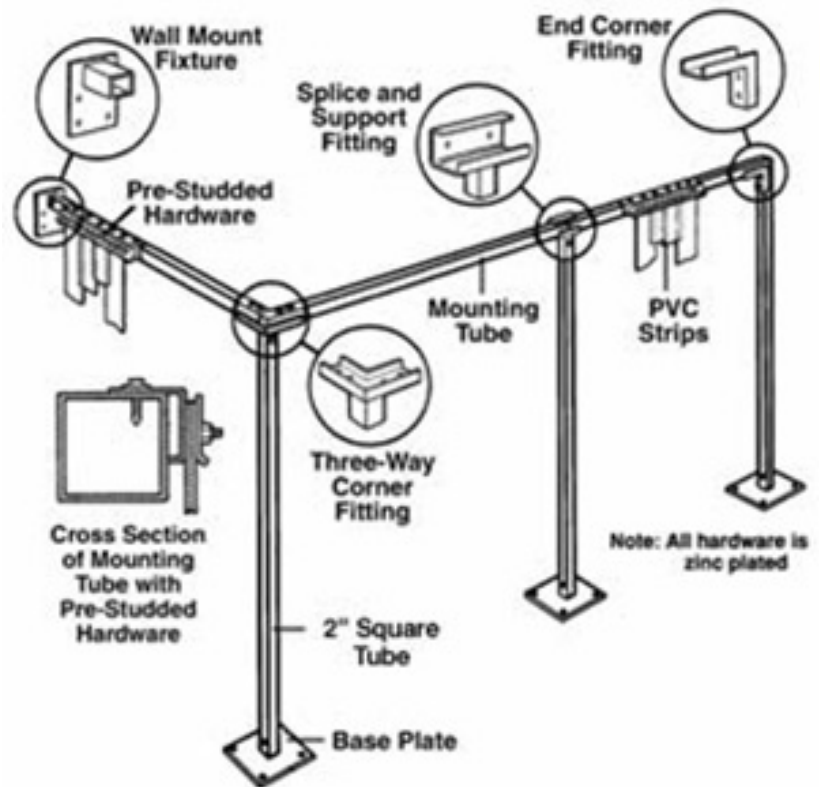
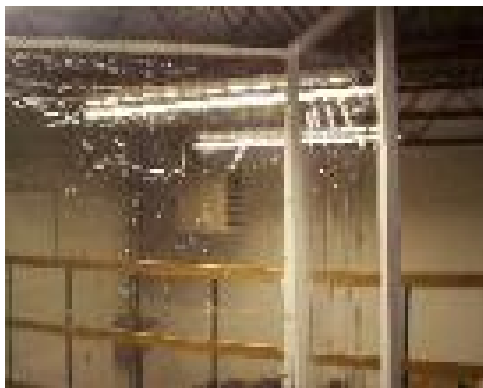


Weld Curtains

Environmental PVC Solutions



Strip-Curtains.com offers design and installation of Clean Room Curtains and Enclosures. Enclosures are manufactured from a variety of strip types including anti static PVC which prevents static build up and discharge. Frame hardware is usually floor mount or ceiling mount and in some cases both. Hardware options include Galvanized, Aluminum and Stainless Steel (various gauges available). Attachment of the curtains to the hardware often includes pressure sensitive Velcro, our self fastening arrow system, grommets and bolts/nuts.

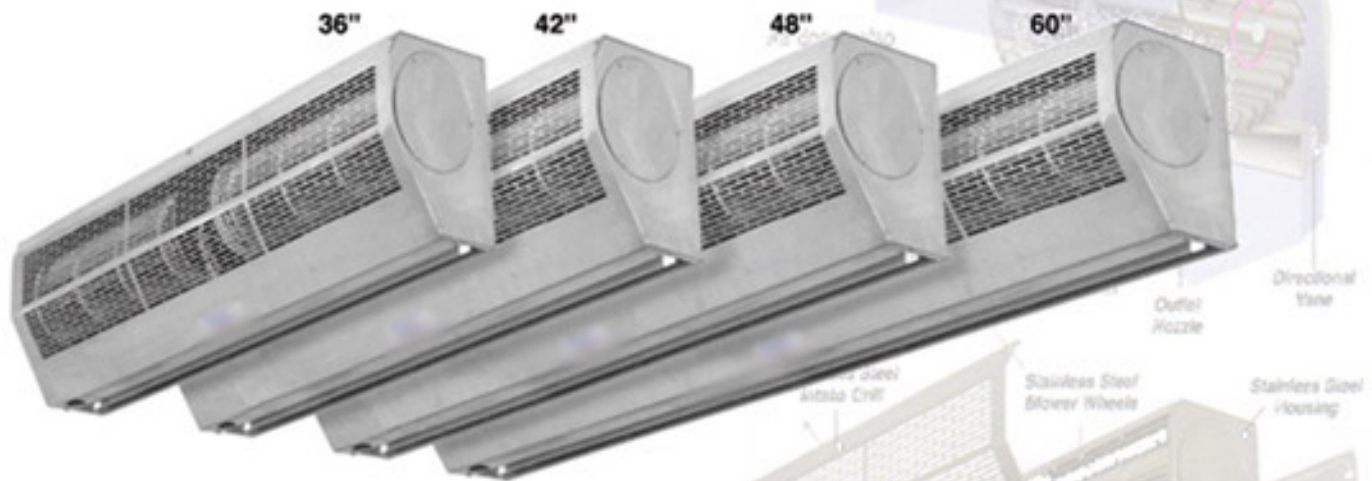


Custom Strip/Curtain Enclosures

Environmental PVC Solutions

When Plastic Curtains are not the Solution

New Air Pro Air Doors !



Stainless Steel Cabinets!
Two speed Operation!
Low Profile and Sleek Design!
Built in Rocker Switch!
Automatic Door Switch!
Eliminate Insects and Bugs!
Save on hydro!

Quick Ship !

Applications Include:

**Bakeries, Cold Storage, Restaurants,
Coolers, Food Processing Plants, etc.**

Available for Online Order!



**See Installations
Instructions Below**