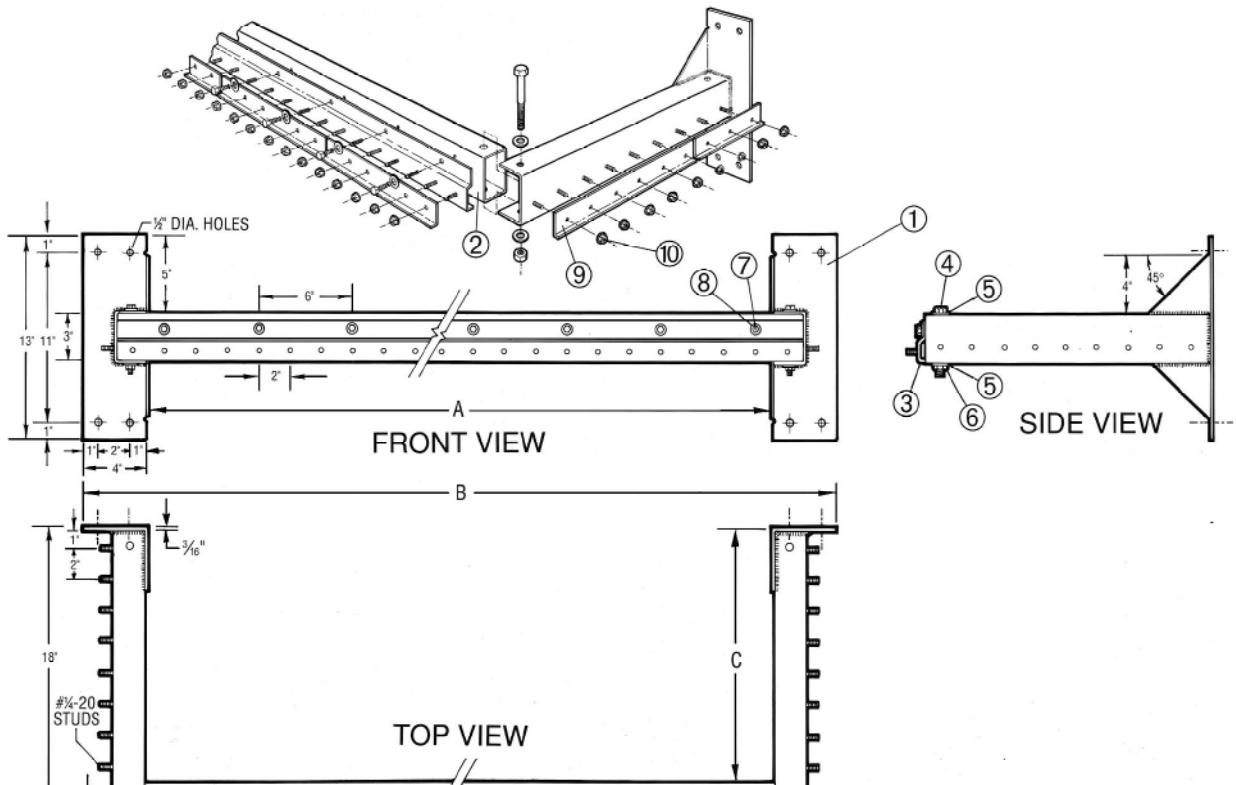


# STAND OFF MOUNT SPECS



Part No.	Required Material	Description
1	2	A36 ASTM 18" MOUNTING BRACKET
2	1	A500 ASTM STRUCTURAL TUBE
3	1	ASTM-A-527 S.L. HARDWARE
4	2	ASTM-B18.2.1 1/2" HEX HEAD BOLT
5	4	DIN-125 1/2" FLAT WASHER
6	2	ASTM-B18.2.1 1/2" HEX NUT
7		#96 12-14 x 1/2" TEKS/3
8		#12-SAE ZINC PLATED WASHER
9		ASTM-A-527 RETAINER BAR
10		ASTM-B18.2.1 1/4" -20 HEX S.L. NUT

*Stripcurtains.com - 1 877 270 3311*